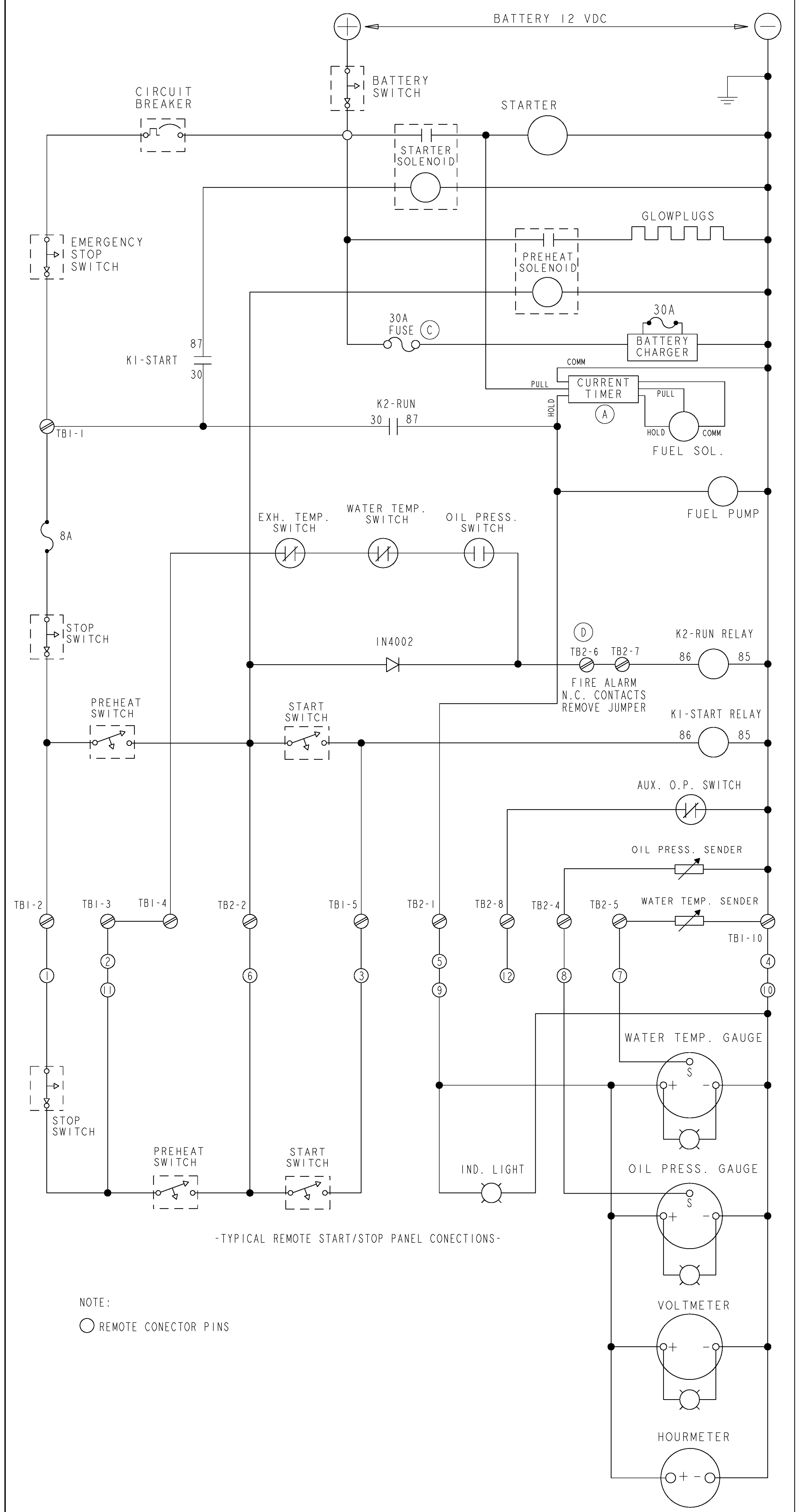
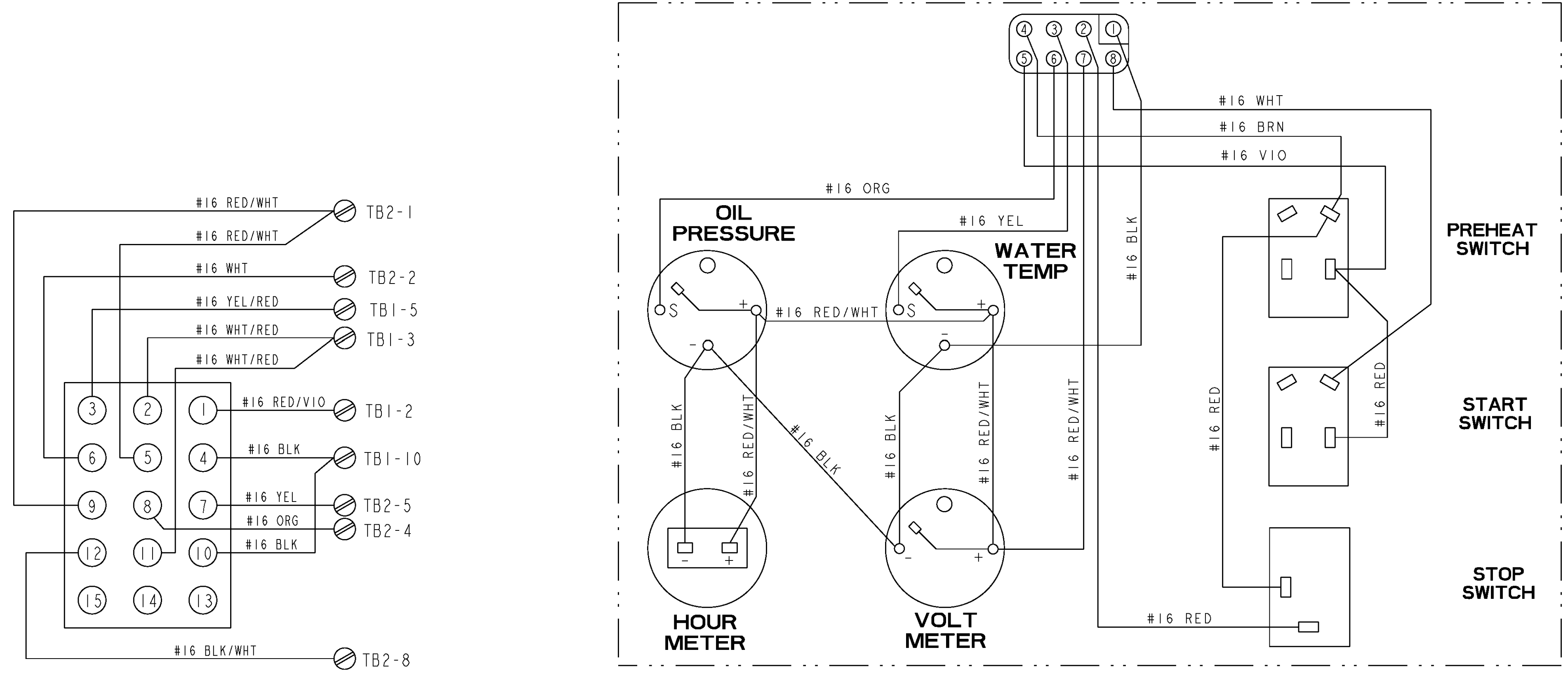


NOTE:  
1. REMOVE JUMPER WHEN CONNECTING A SECOND REMOTE PANEL.



NOTE:  
○ REMOTE CONNECTOR PINS

| TOLERANCES<br>(UNLESS OTHERWISE NOTED)          |              | WESTERBEKE CORPORATION<br>AVON MA. 02322 |  |         |  |                       |   |
|---|--------------|--|--|---------|--|-----------------------|---|
| 5861  | 11-3<br>2004 | D  | ADDED JUMPER BETWEEN TB2-6&7; K2-86 WAS CONNECTED TO TB2-6.  | GA      | INCHES<br>.XX : .02                      | MILLIMETERS<br>X : .1 | TITLE<br>WIRING DIAGRAM/SCHEMATIC,<br>4.0 BCD, 5.0 BCD, 5.5 BCD |
| 5610  | 9-17<br>2003 | C  | ADDED 30A FUSE TO BATTERY CHARGER CONNECTION; REROUTE BATTERY CHARGER CONNECTION TO STARTER INSTEAD OF CIRCUIT BREAKER | GA      | .XXX : .005<br>CAST : .03<br>FINISH : 32 | ANGLE : 30°           | DATE : 16/Mar/00  |
| 5340  | 8-5<br>2003  | B  | ADDED 4.0 BCD TO TITLE, 25A WAS 20A.   | TSM     | DIMENSIONS<br>INCHES<br>MILLIMETERS      |                       |   |
| 5082  | 10-24<br>01  | A  | ADDED CURRENT TIMER  | TSM     | SCALE : NONE                             | SIZE : 16/Mar/00      | MATERIAL :  |
| E CO NO. DATE REV. REVISION RECORD AUTH. DR. BY |              |  |  | E 44732 |  |                       |   |